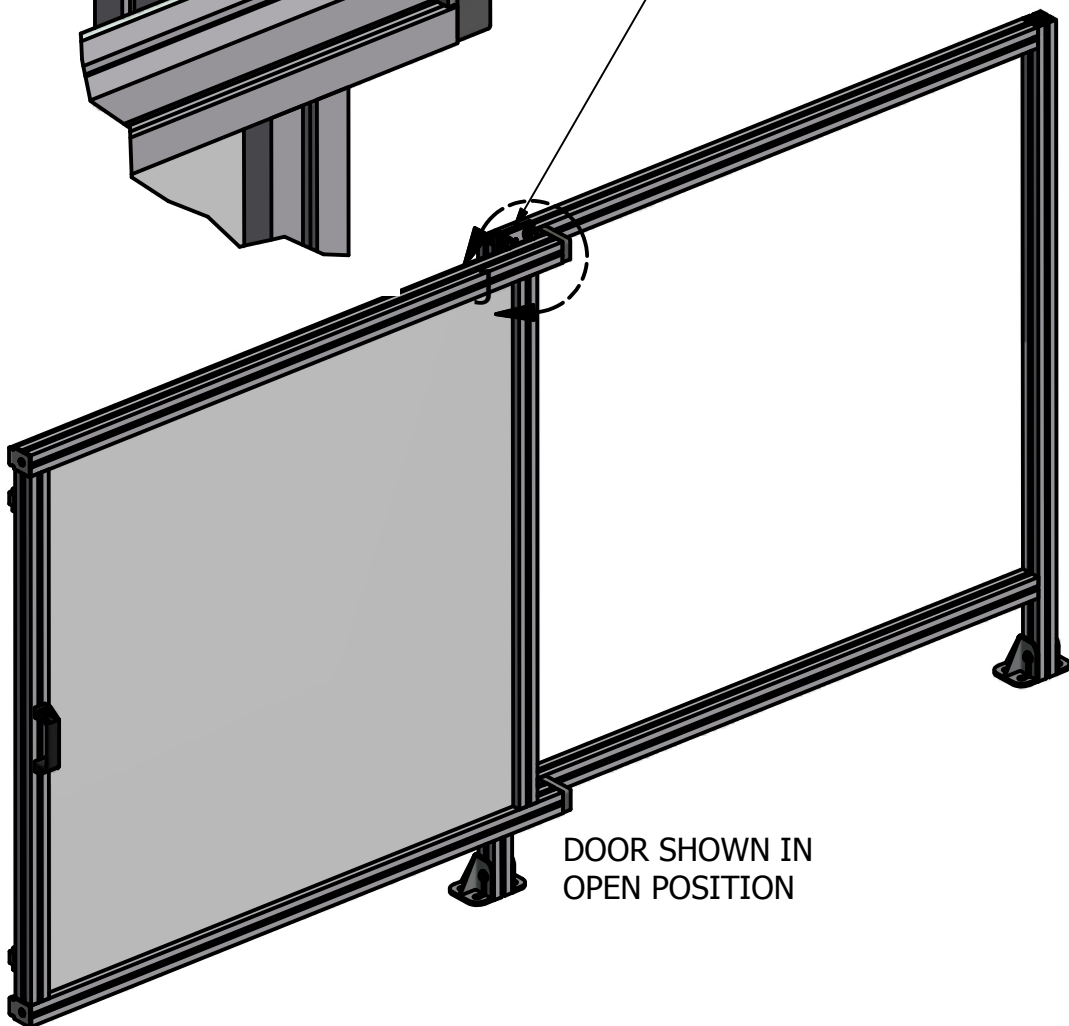


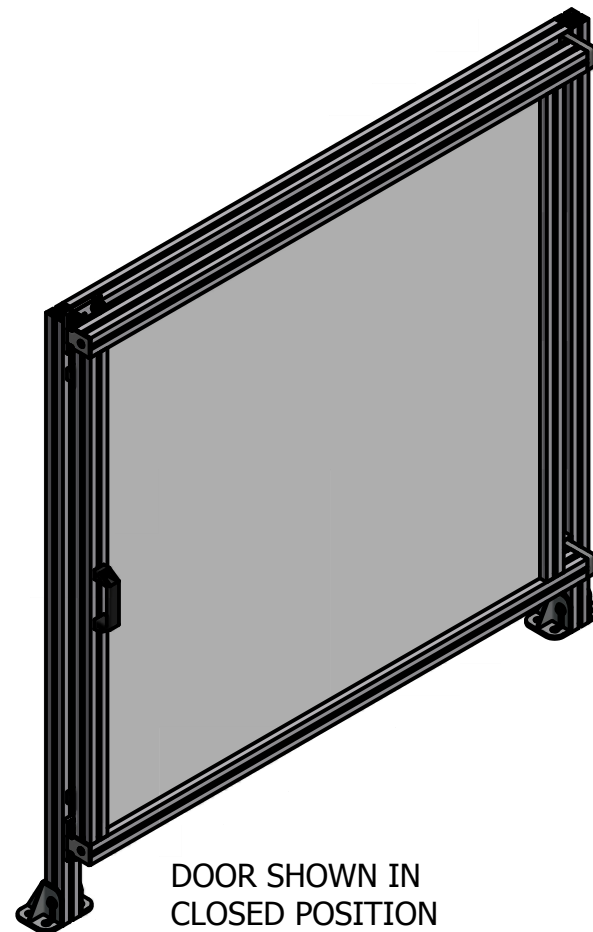
BALL BEARING GUIDES

UHMW BEARING PLASTIC SUPPORT GUIDE

DOOR LATCHES IN OPEN & CLOSED POSITION AT POST




DOOR SHOWN IN OPEN POSITION

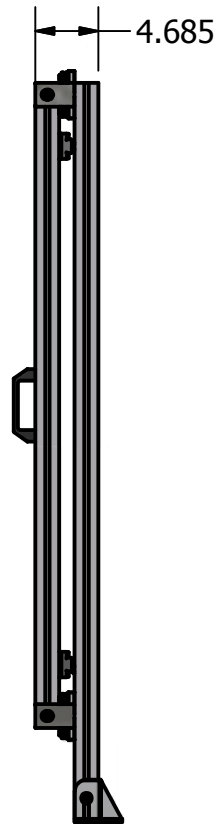
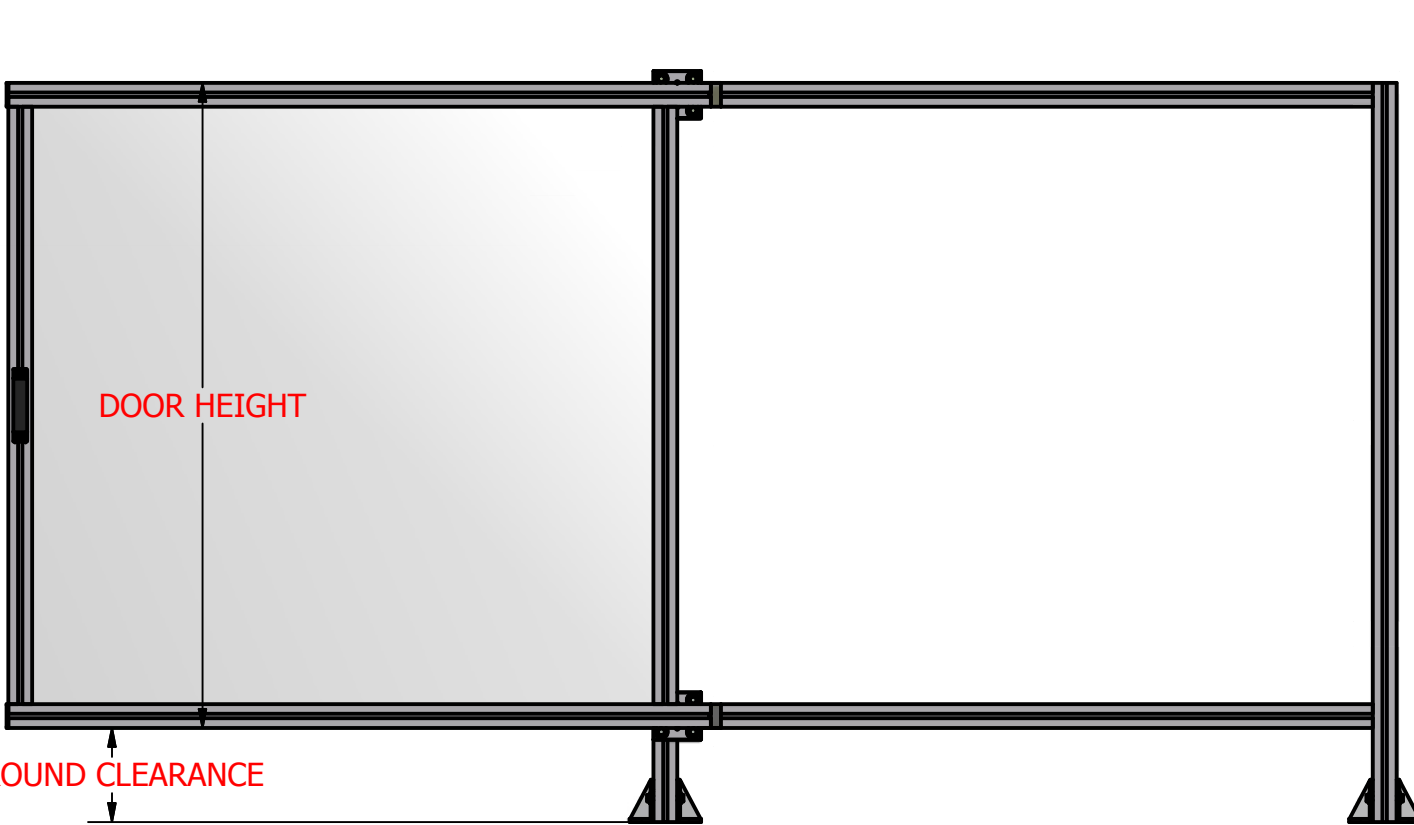
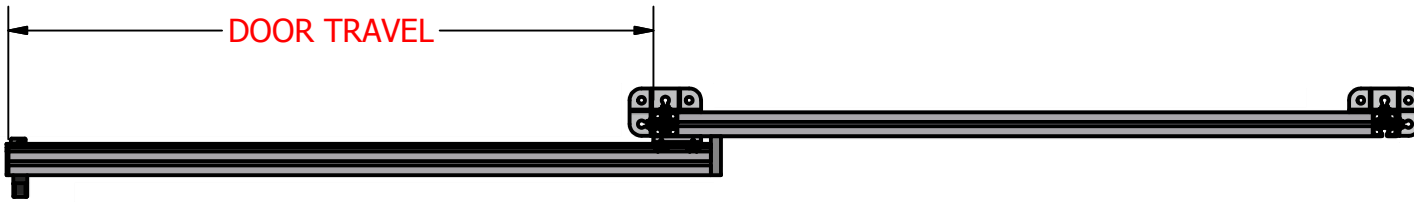


DOOR SHOWN IN CLOSED POSITION

DRAWING APPROVED FOR PRODUCTION BY: _____ DATE _____ APPROVED REVISE & RESUBMIT


APPROVED WITH CHANGES REJECTED

PROJECT AM02252013-1		 <small>WWW.MINITECFRAMING.COM VICTOR, NY PH # 585 924-4690 DIRECT 585 398-1240 EXT 104 FX # 585 924-4821 amoles@minitecframing.com</small>	REV
DRAWN BY ANDY MOLES			DWG NO
DATE 2/25/2013			SP03122013-1
DRAWN FOR MINITEC'S CUSTOMER	TITLE ADD TITLE	MATERIAL	FINISH
<small>TOLERANCES UNLESS OTHERWISE NOTED .X +/- .125" .XX +/- .015" .XXX +/- .010"</small>		SHEET 1 OF 11	



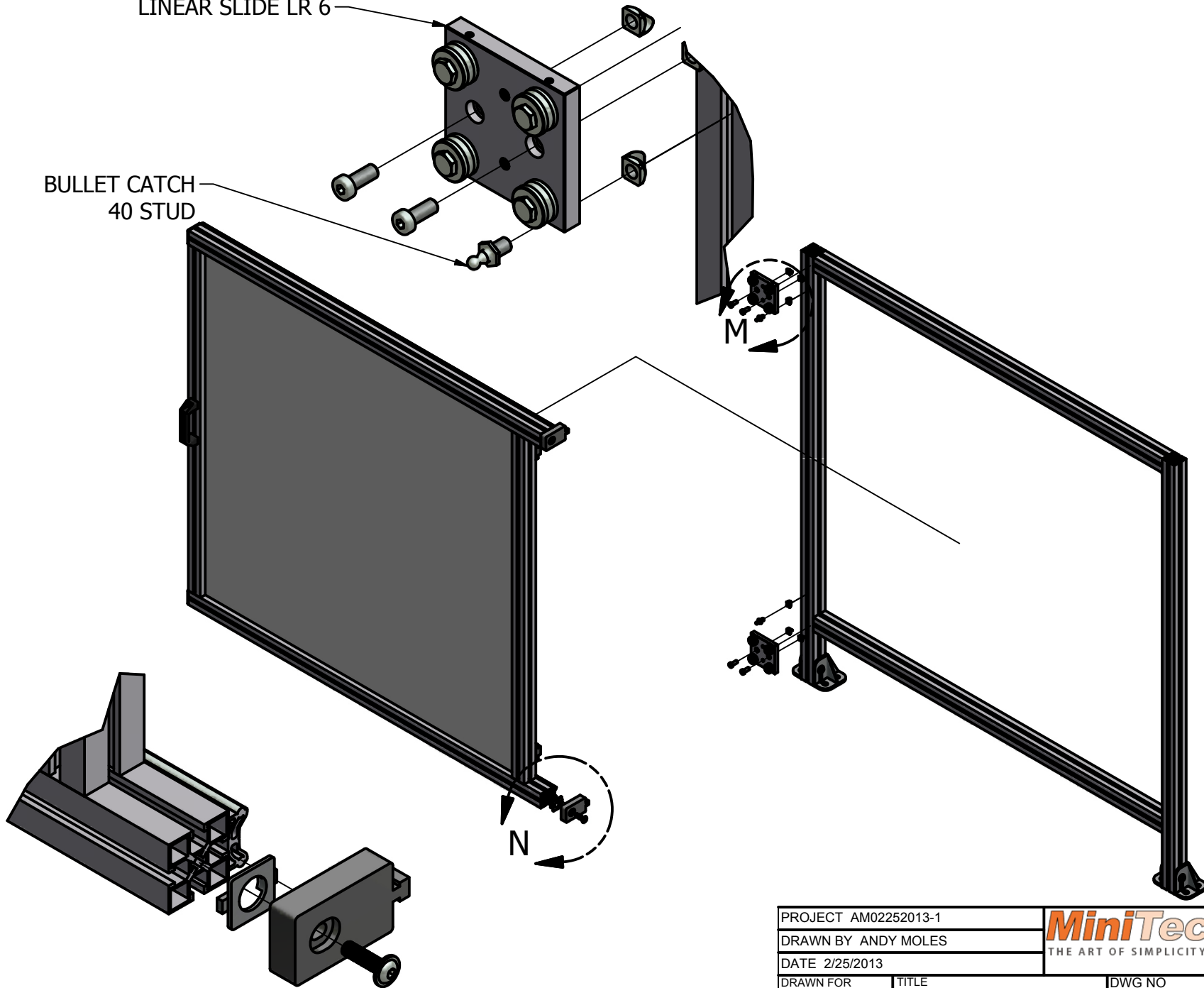
APPROVAL INITIALS:

PRE-MILL INSPECTION
 PROFILE ___ MITER ANGLE ___
 LENGTH ___ MITER DIR. ___

PROJECT AM02252013-1			<small>WWW.MINITECFRAMING.COM VICTOR, NY PH # 585 924-4690 DIRECT 585 398-1240 EXT 104 FX # 585 924-4821 amoles@minitecframing.com</small>	
DRAWN BY ANDY MOLES			DWG NO	
DATE 2/25/2013			SP03122013-1	
DRAWN FOR MINITEC'S CUSTOMER		TITLE ADD TITLE		REV
TOLERANCES UNLESS OTHERWISE NOTED X +/- .125" .XX +/- .015" .XXX +/- .010"		MATERIAL		FINISH
				SHEET 2 OF 11


LINEAR SLIDE LR 6

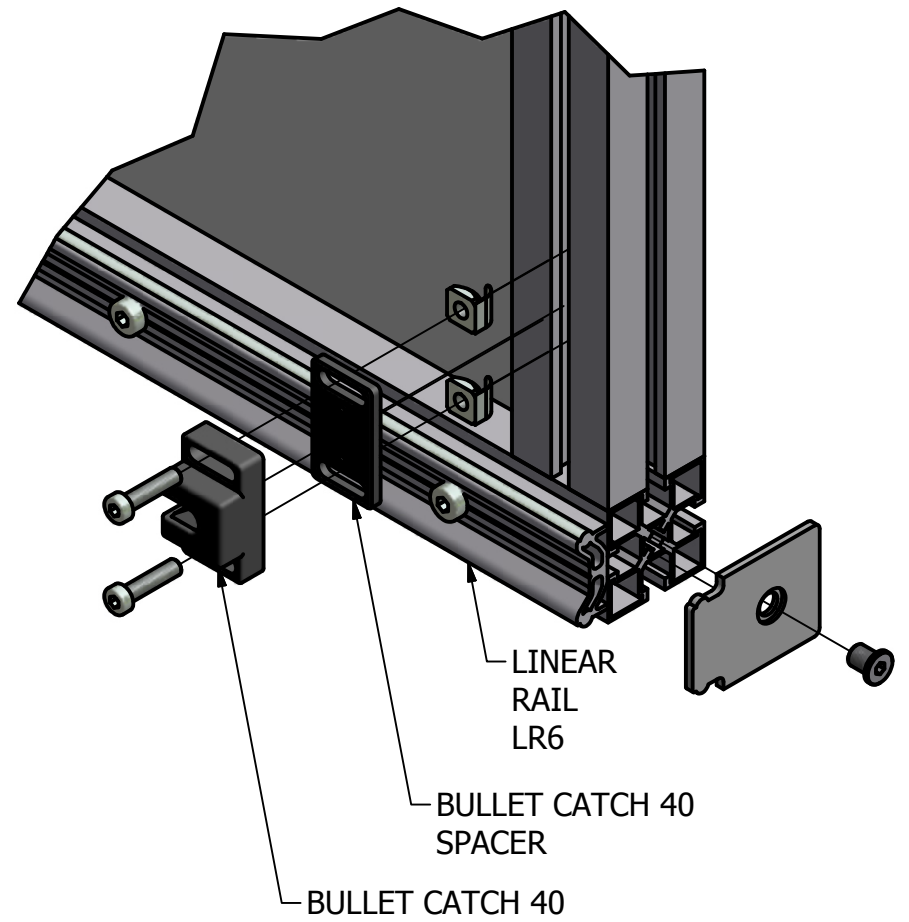
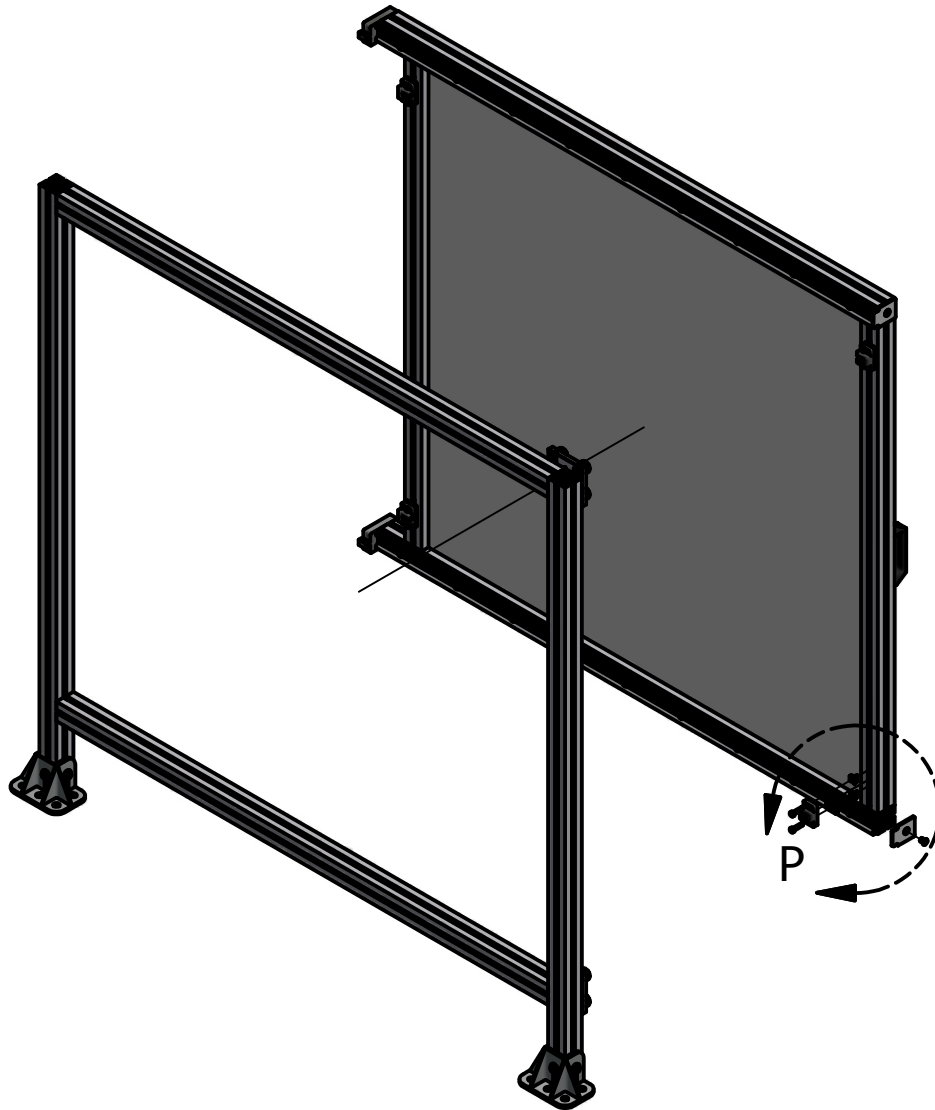
BULLET CATCH
40 STUD



DRAWING APPROVED FOR PRODUCTION BY: _____ DATE _____ APPROVED REVISE & RESUBMIT


APPROVED WITH CHANGES REJECTED

PROJECT AM02252013-1		 <small>WWW.MINITECFRAMING.COM VICTOR, NY PH # 585 924-4690 DIRECT 585 398-1240 EXT 104 FX # 585 924-4821 amoles@minitecframing.com</small>	REV
DRAWN BY ANDY MOLES			DWG NO
DATE 2/25/2013			SP03122013-1
DRAWN FOR MINITEC'S CUSTOMER	TITLE ADD TITLE	MATERIAL	FINISH
<small>TOLERANCES UNLESS OTHERWISE NOTED .X +/- .12" .XX +/- .015" .XXX +/- .010"</small>		SHEET 3 OF 11	



DRAWING APPROVED FOR PRODUCTION BY: _____ DATE _____ APPROVED REVISE & RESUBMIT

_____ APPROVED WITH CHANGES REJECTED

PROJECT AM02252013-1			WWW.MINITECFRAMING.COM	
DRAWN BY ANDY MOLES			VICTOR, NY	
DATE 2/25/2013			PH # 585 924-4690 DIRECT 585 398-1240 EXT 104 FX # 585 924-4821 amoles@minitecframing.com	
DRAWN FOR MINITEC'S CUSTOMER	TITLE ADD TITLE	DWG NO SP03122013-1	REV	
TOLERANCES UNLESS OTHERWISE NOTED .X +/- .12" .XX +/- .015" .XXX +/- .010"		MATERIAL	FINISH	
				SHEET 4 OF 11